

CATV WALL OUTLET WITH LOOP THROUGH



GDM 315

Article number 100306903

PRODUCT CATEGORY: 20 CATV
STATUS: AVAILABLE



Product

CATV WALL OUTLET WITH LOOP THROUGH
GDM 315

15 dB CATV outlet with data port and loop through. Frequency range: 5-1006 MHz.

TV and radio have IEC connector port, data outlet has f-connector port. Pushlock technology for cable: rapid mounting and firmly secured. Universally applicable with all renowned outlet boxes. Breakable frame corners for round outlet boxes. Reduced depth and diameter for easy insertion in flush outlet boxes or for excess cable. If loop through is not used, place terminator R77 article number 947508002

Properties



Certificates



Included

N/A

Tools

- 1 piece Cable stripper KST 3
Article number 695020385



Instruction video

www.hirschmann-multimedia.nl/montagefilm-WDC

Instruction card

www.hirschmann-multimedia.nl/installation/installatie-schema

Mechanical Specifications

Dimensions hxxxd
71 x 70 x 41 mm

Weight
0,1025 kg

Color
Metallic

PRODUCTSHEET

GDM 315

CATV WALL OUTLET WITH LOOP THROUGH

Specifications

Features

- Special antenna outlet sockets for connecting to cable TV networks (CATV) or common antenna networks (MATV/SMATV) up to 1 GHz.
- Special outlets designs for different electrical requirements.
- Advantage: Optimal electrical characteristics for the respective application.

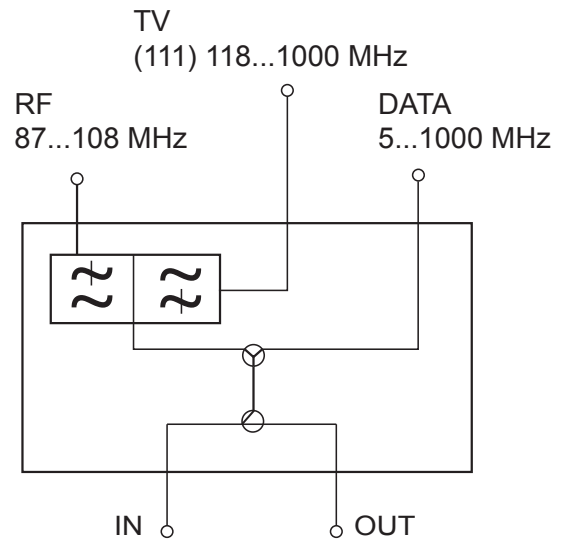
Technical data

Design	Pass-through socket	
Attenuation	frequency range	
IN - OUT	5-1000 MHz	1.6 dB
IN -TV (IEC male)	(111) 118-1000 MHz	(17)15 dB
IN - RF (IEC male)	87 - 108 MHz	18 dB
IN - DATA (F female)	5 - 1000 MHz	15 dB
Isolation		
OUT - TV/RF	5 - 65 MHz	65 dB
	VHF	34 dB
	UHF	30 dB
OUT - DATA	5 - 65 MHz	35 dB
	VHF	35 dB
	UHF	35 dB
DATA - TV/RF	5 - 65 MHz	70 dB
	VHF	40 dB
	UHF	38 dB

Remarks

For interactive multimedia CATV networks with cable modem operation. Reverse channel range (F female) is decoupled by approx. 70 dB against TV outlet in order to avoid incorrect images during cable modem operation.

Wiring diagram



Related product - AR 20

Article number 910382002



Related product - AD 23

Article number 940222021



Related product - KOKA 9 TS

Article number 198799801



Contact

📍 Pampuslaan 170
1382 JS WEESP

✉ info@hirschmann.nl

☎ NL 31 (0)294 46 25 55
BE 32 (0)2 46 13 095

🌐 www.linkedin.com/company/hirschmann-multimedia-b.v.

📘 www.facebook.com/hirschmann.multimedia

📺 www.youtube.com/HirschmannMultimedia

Hirschmann Multimedia B.V.

Hirschmann Multimedia B.V. is an international knowledge company and manufacturer, located in Weesp - The Netherlands. Hirschmann Multimedia focusses on leading the market by being innovative, flexible and renewing.

Hirschmann Multimedia Products (HMP):

Serving the retail and installer market, Hirschmann Multimedia Products is expanding from The Netherlands and Belgium towards 16 other European countries as of 2014. Through a qualified and selected dealer and installer network, HMP provides in products for COAX, IP and satellite systems.